



FEATURES:

- Quarter-turn ball type
- Lever operated
- Sizes ½" & ¾"

MATERIAL SPECIFICATION

Description	Material
Body	Brass CW614N
Bonnet	Brass CW614N
Ball	Brass CW614N
Seat	PTFE
Stem	Brass CW614N
O-Ring & Gaskets	NBR
Hose Connector	Brass CW614N
Handle Lever	Aluminium

PRESSURE / TEMPERATURE RATING

16 Bar from -10°C to 100°C

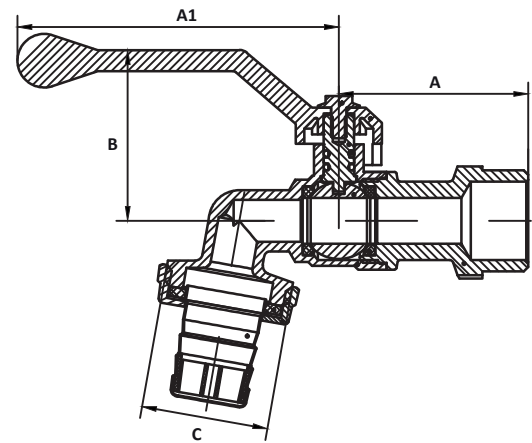
HYDROSTATIC TEST PRESSURE

Shell: 24 bar

Seat: 17.6 bar

SPECIFICATION

Brass body equipped with hose union on outlet
 Quarter-turn ball type with lever operator
 Taper threaded to BS EN 10226-2 (ISO-7) formerly BS 21
 Available in chrome finish
 Bib tap ½" available with vacuum breaker (Fig. FLVB)



ORDERING INFORMATION

Brass finish	Order Code: FLHB-1320
Chrome finish	Order Code: FLHB-1320.CP
With vacuum breaker	Order Code: FLBH-1320.VB

DIMENSIONS & WEIGHT

DN	Inches	A (mm)	A1 (mm)	B (mm)	C (mm)	Weight (kg)
15	½	50	84	44.5	20	0.23
20	¾	50	84	44.5	25	0.31

All dimensions are nominal (indicative). Actual dimensions may vary.