

### FEATURES:

- Compact wafer design
- Accurate flow measurement
- Supplied with test points and extension sleeve

### MATERIAL SPECIFICATION

Description	Material
Body	Stainless Steel Type 304
Extension Sleeve	Stainless Steel Type 304
Test Points (FLTP)	DZR Brass CW602N

### PRESSURE / TEMPERATURE RATING

16 Bar from -10°C to 120°C

### HYDROSTATIC TEST PRESSURE

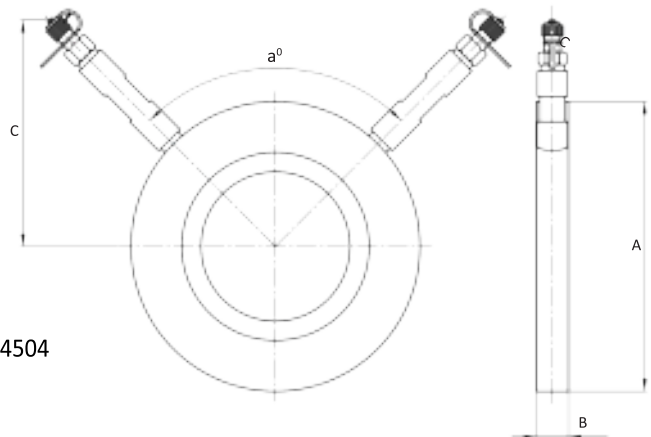
Shell: 24 bar

### SPECIFICATION

Conforms to BS 7350

Supplied complete with extensions and test points (Fig. FLTP)

Suitable for fitting between flanges to BS EN 1092-2 formerly BS 4504



### DIMENSIONS & WEIGHT

DN	Inches	A (mm)	B (mm)	C (mm)	a°	Weight (kg)
65	2½	127	18	112	90	1.3
80	3	142	18	118	90	1.6
100	4	162	18	125	90	1.8
125	5	192	18	135	90	2.4
150	6	218	18	145	90	2.7
200	8	273	18	165	90	3.8
250	10	329	18	185	90	5.1
300	12	384	18	205	90	6.5
350	14	444	21	222	90	12.5
400	16	495	21	240	90	14.7
450	18	555	21	261	90	18.4
500	20	617	21	283	90	22.6
600	24	734	25	325	90	37.6

All dimensions are nominal (indicative). Actual dimensions may vary.

