

**FEATURES:**

- Precise and accurate measurement
- Equipped with self-sealing measuring points (test points)
- Dezincification resistant brass body

**MATERIAL SPECIFICATION**

Description	Material
Body	DZR Brass CW602N
Gaskets	EPDM
Test Points	DZR Brass CW602N

**PRESSURE / TEMPERATURE RATING**

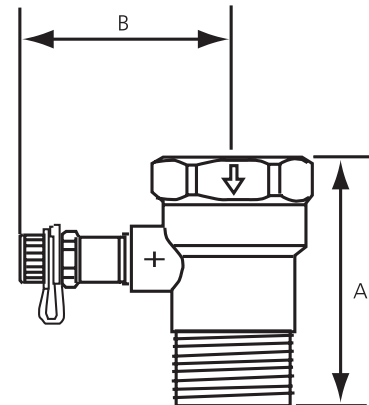
20 Bar from -10°C to 100°C  
15 bar at 120°C

**HYDROSTATIC TEST PRESSURE**

Shell: 30 bar

**SPECIFICATION**

Designed to BS 7350  
Equipped with self-sealing measuring points (test points)  
Taper threaded to BS EN 10226-2 (ISO-7) formerly BS 21



**DIMENSIONS & WEIGHT**

DN	Inches	A (mm)	B (mm)	Weight (kg)
15	½	58	53	0.20
20	¾	60	56	0.23
25	1	68	59	0.33
32	1¼	72	62	0.47
40	1½	74	66	0.51
50	2	82	71	0.78

All dimensions are nominal (indicative). Actual dimensions may vary.

