



FEATURES:

- Stainless steel perforated screen
- Cap tapped and plugged for drain

MATERIAL SPECIFICATION

Description	Material
Body	Cast Iron BS EN 1561
Bonnet	Cast Iron BS EN 1561
Screen	Stainless Steel Type 304
Gasket	Graphite
Drain Plug	Steel

PRESSURE / TEMPERATURE RATING

16 Bar from -10°C to 120°C

HYDROSTATIC TEST PRESSURE

Shell: 24 bar

SPECIFICATION

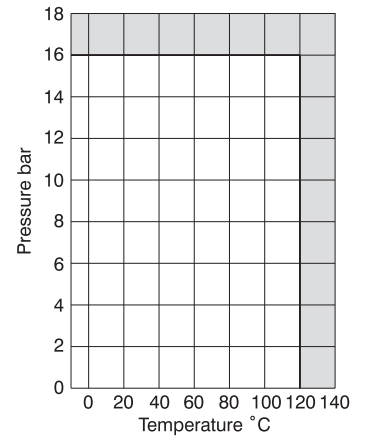
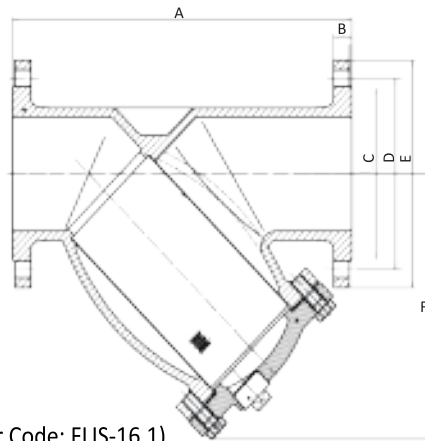
Bolted cover

Cap tapped and plugged for drain

Face to face dimensions to BS EN 558-1 basic series 1

Flanged to BS EN 1092-2 PN16 formerly BS 4504

Can be supplied with 2 test points upon request (Order Code: FLIS-16.1)



DIMENSIONS & WEIGHT

DN	Inches	A (mm)	B (mm)	C (mm)	D (mm)	E (mm)	F (mm)	n-Ød	Cover Plug (")	Perforation Dia (mm)	Thickness (mm)	Mesh / cm ²	Weight (kg)
65	2½	290	20	118	145	185	176	4-19	1	1.2	1	36	14
80	3	310	22	132	160	200	199	8-19	1½	1.2	1	36	20
100	4	350	24	156	180	220	240	8-19	1½	3	1.5	9	27
125	5	400	26	184	210	250	292	8-19	1½	3	1.5	9	40
150	6	480	26	211	240	285	320	8-23	1½	3	1.5	9	57
200	8	600	30	266	295	340	399	12-23	1½	3	1.5	9	97
250	10	730	32	319	355	405	516	12-28	2	3	1.5	9	164
300	12	850	32	370	410	460	568	12-28	2	3	1.5	9	234
350	14	980	36	438	470	520	648	16-28	2	3	1.5	9	312
400	16	1100	38	490	525	580	759	16-31	2	3	2	9	422

All dimensions are nominal (indicative). Actual dimensions may vary.