



FEATURES:

- Dezincification resistant brass body
- Full bore
- Lever operated

MATERIAL SPECIFICATION

Description	Material
Body	DZR Brass CW602N
Seat Retainer	DZR Brass CW602N
Ball	DZR Brass CW602N
Seat	PTFE
Stem	DZR Brass CW602N
O-Rings (Packing)	EPDM & HNBR
Lever	Stainless Steel Type 304
Lever Cover	PVC

PRESSURE / TEMPERATURE RATING

25 Bar from -10°C to 100°C

HYDROSTATIC TEST PRESSURE

Shell: 37.5 bar

Seat: 27.5 bar

SPECIFICATION

Blow-out proof stem

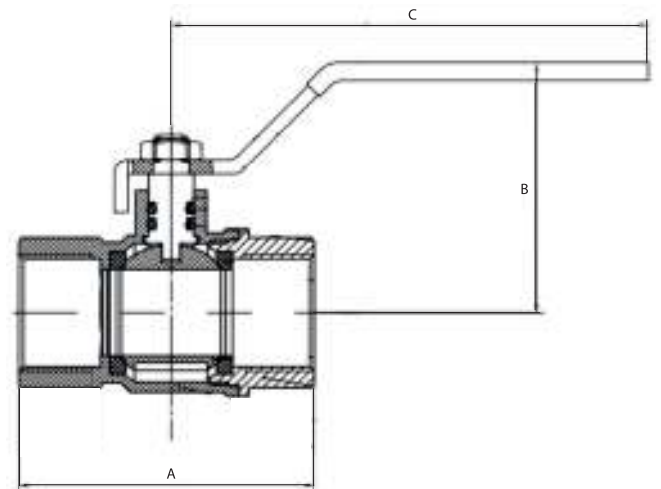
Quarter turn, lever operated

Full bore chrome plated ball

Two piece body

PTFE seats

Taper threaded to BS EN 10226-2 (ISO-7) formerly BS 21



DIMENSIONS & WEIGHT

DN	Inches	A (mm)	B (mm)	C (mm)	Weight (kg)
15	½	60	45	92	0.21
20	¾	67	50	92	0.29
25	1	76	56	105	0.44
32	1¼	93	73	134	0.75
40	1½	101	78	134	1.00
50	2	122	93	144	1.66

All dimensions are nominal (indicative). Actual dimensions may vary.

