



FEATURES:

- High quality bronze body
- Full bore
- Extended stem
- Lever operated

MATERIAL SPECIFICATION

Description	Material
Body	Bronze CC491K
Seat Retainer	Bronze CC491K
Ball	Brass CC617N (Chrome Plated)
Seat	PTFE
Stem	DZR Brass CW602N
Packing	PTFE
Gland Nut	Brass CW617N
Extension Stem	Brass CW617N
Extension Housing	Aluminium
Lever	Chrome Plated Mild Steel
Lever Cover	PVC

PRESSURE / TEMPERATURE RATING

25 Bar from -10°C to 100°C

HYDROSTATIC TEST PRESSURE

Shell: 37.5 bar

Seat: 27.5 bar

SPECIFICATION

Blow-out proof stem

Extended stem

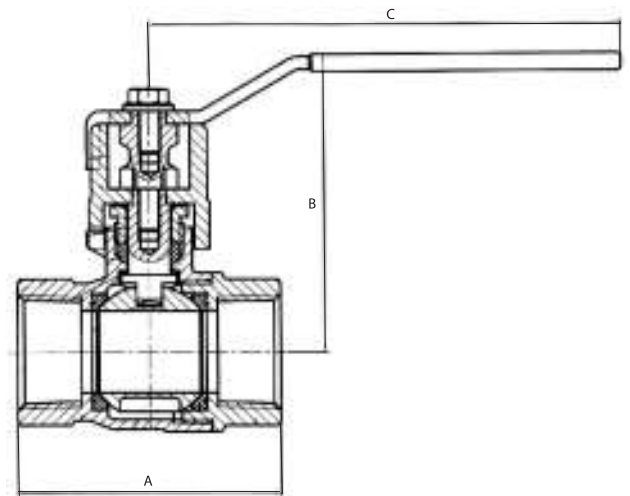
Quarter turn, lever operated

Full bore chrome plated ball

Two piece body

PTFE seats and stem seals

Taper threaded to BS EN 10226-2 (ISO-7) formerly BS 21



DIMENSIONS & WEIGHT

DN	Inches	A (mm)	B (mm)	C (mm)	Weight (kg)
15	½	53	60	95	0.25
20	¾	61	69	110	0.38
25	1	71	73	110	0.56

All dimensions are nominal (indicative). Actual dimensions may vary.

