



**FEATURES:**

- High quality bronze body
- Full bore
- Lever operated

**MATERIAL SPECIFICATION**

| Description   | Material                     |
|---------------|------------------------------|
| Body          | Bronze CC491K                |
| Seat Retainer | Bronze CC491K                |
| Ball          | Brass CW617N (Chrome Plated) |
| Seat          | PTFE                         |
| Stem          | DZR Brass CW602N             |
| Packing       | PTFE                         |
| Gland Nut     | Brass CW617N                 |
| Lever         | Chrome Plated Mild Steel     |
| Lever Cover   | PVC                          |

**PRESSURE / TEMPERATURE RATING**

25 Bar from -10°C to 100°C

**HYDROSTATIC TEST PRESSURE**

Shell: 37.5 bar

Seat: 27.5 bar

**SPECIFICATION**

Blow-out proof stem

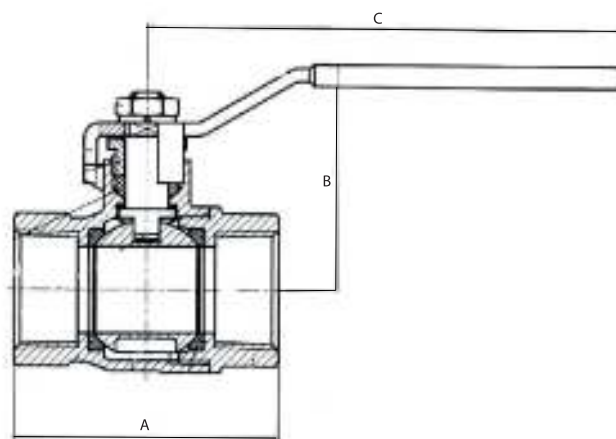
Quarter turn, lever operated

Full bore chrome plated ball

Two piece body

PTFE seats and stem seals

Taper threaded to BS EN 10226-2 (ISO-7) formerly BS 21



**DIMENSIONS & WEIGHT**

| DN | Inches | A (mm) | B (mm) | C (mm) | Weight (kg) |
|----|--------|--------|--------|--------|-------------|
| 15 | ½      | 53     | 44     | 95     | 0.23        |
| 20 | ¾      | 61     | 51     | 110    | 0.37        |
| 25 | 1      | 71     | 55     | 110    | 0.54        |
| 32 | 1¼     | 85     | 65     | 140    | 0.84        |
| 40 | 1½     | 92     | 70     | 140    | 1.13        |
| 50 | 2      | 114    | 83     | 160    | 1.88        |

All dimensions are nominal (indicative). Actual dimensions may vary.

