



FEATURES:

- High quality bronze body
- Horizontal swing pattern

MATERIAL SPECIFICATION

Description	Material
Body	Bronze CC491K
Cap	Bronze CC491K
Disc ½ - 1"	Brass CW614N
Disc 1¼ - 2"	Bronze CC491K
Hinge	Bronze CC491K
Hinge Pin	Stainless Steel Type 316S11
Hinge Nut	Brass CW614N

PRESSURE / TEMPERATURE RATING

25 Bar from -10°C to 100°C

HYDROSTATIC TEST PRESSURE

Shell: 37.5 bar

Seat: 27.5 bar

SPECIFICATION

Designed to BS 5154

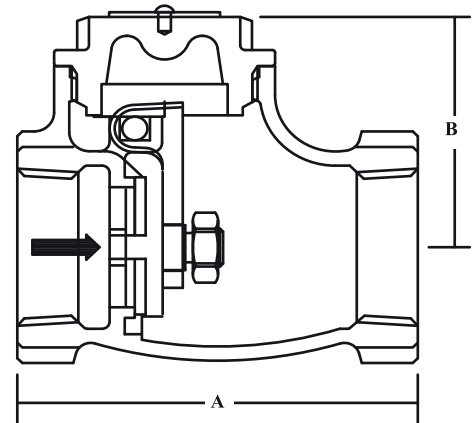
Horizontal swing pattern

Threaded cover

Metal to metal seat

Suitable for mounting in horizontal and vertical pipe (with vertical flow upwards)

Taper threaded to BS EN 10226-2 (ISO-7) formerly BS 21



DIMENSIONS & WEIGHT

DN	Inches	A (mm)	B (mm)	Weight (kg)
15	½	58	38	0.32
20	¾	66	42	0.43
25	1	80	49	0.61
32	1¼	89	56	1.01
40	1½	95	65	1.34
50	2	108	76	2.12

All dimensions are nominal (indicative). Actual dimensions may vary.

