



FEATURES:

- High quality bronze body
- Full bore chrome plated ball
- Lever operated
- WRAS approved for use with potable water



MATERIAL SPECIFICATION

Description	Material
Body	Bronze CC491K
Seat Retainer	Bronze CC491K
Ball	Brass CW617N (Chrome Plated)
Seat	PTFE
Stem	DZR Brass CW602N
Packing	PTFE
Gland Nut	Brass CW617N
Lever	Chrome Plated Mild Steel
Lever Cover	PVC

PRESSURE / TEMPERATURE RATING

25 Bar from -10°C to 100°C

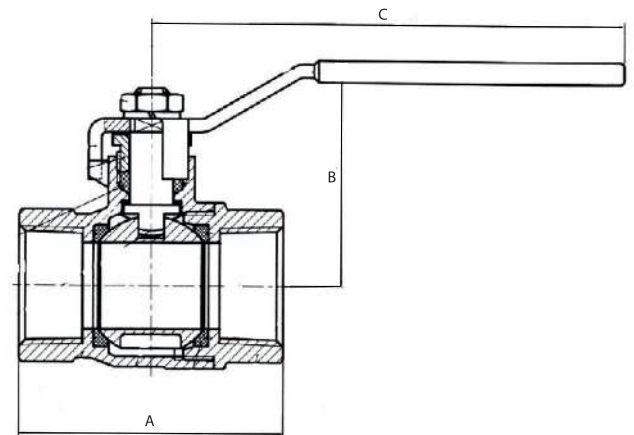
HYDROSTATIC TEST PRESSURE

Shell: 37.5 bar

Seat: 27.5 bar

SPECIFICATION

- WRAS approved product
- Blow-out proof stem
- Quarter turn, lever operated
- Full bore chrome plated ball
- Two piece body
- PTFE seats and stem seals
- Taper threaded to BS EN 10226-2 (ISO-7) formerly BS 21



DIMENSIONS & WEIGHT

DN	Inches	A (mm)	B (mm)	C (mm)	Weight (kg)
15	½	53	44	95	0.23
20	¾	61	51	110	0.37
25	1	71	55	110	0.54
32	1¼	85	65	140	0.84
40	1½	92	70	140	1.13
50	2	114	83	160	1.88

All dimensions are nominal (indicative). Actual dimensions may vary.

